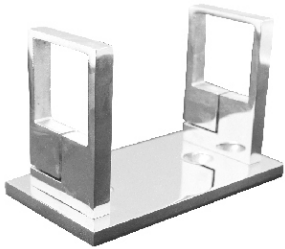
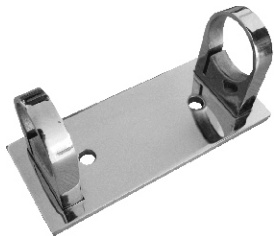
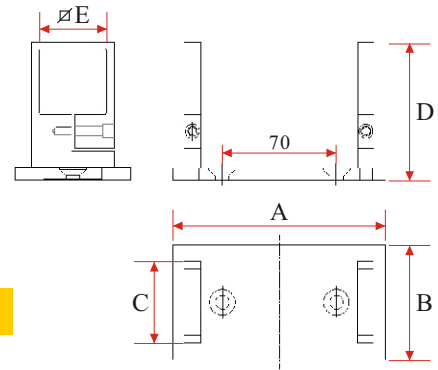


# ANOR

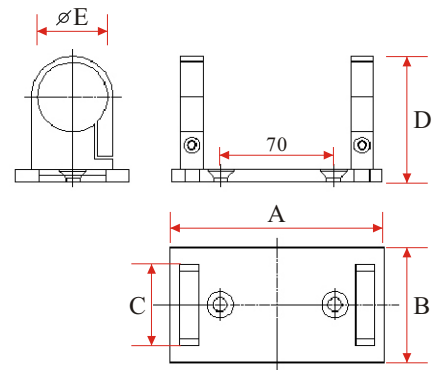
## HERRAJES INOXIDABLE



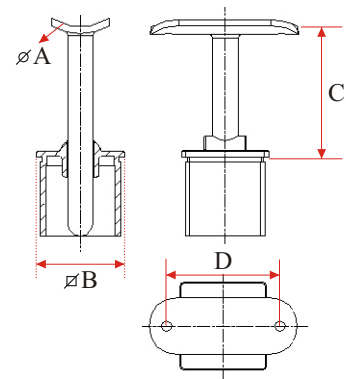
REF.	A	B	C	D	E
SP901	130	70	50	84.5	40



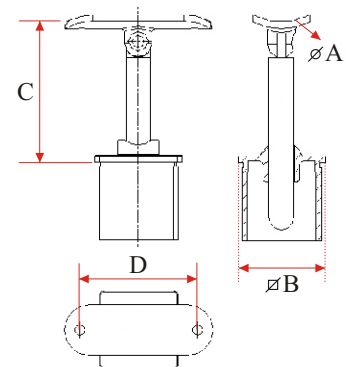
REF.	A	B	C	D	E
SP902	130	70	50	77.3	43



REF.	A	B	C	D
SP903	43	40x40	30-90	52
SP904	50.8	40x40	30-90	60

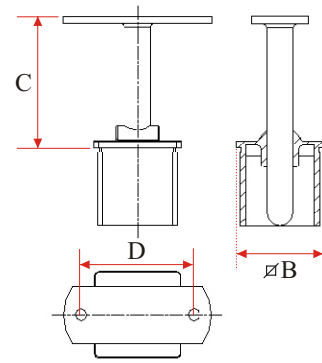


REF.	A	B	C	D
SP905	43	40x40	30-90	52
SP906	50.8	40x40	30-90	60

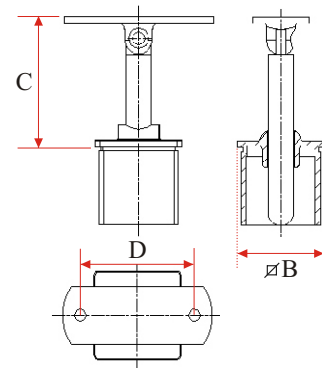




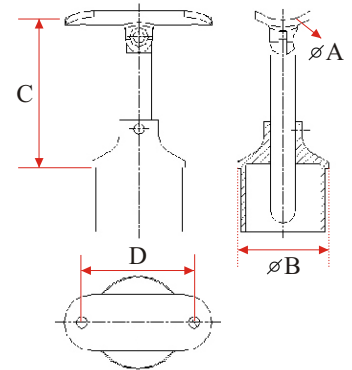
REF.	B	C	D
SP907	40x40	30-90	52



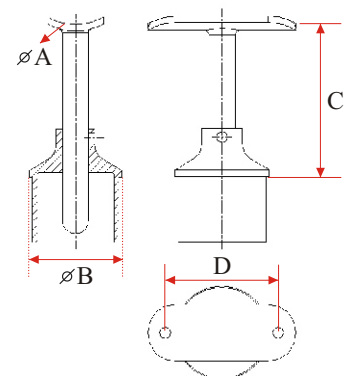
REF.	B	C	D
SP908	40x40	30-90	52



REF.	A	B	C	D
SP909	43	43	30-90	52
SP910	50.8	50.8	30-90	60

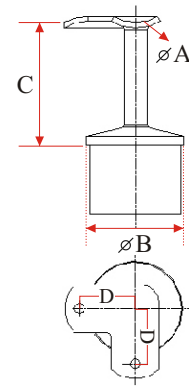


REF.	A	B	C	D
SP911	43	43	30-90	52
SP912	50.8	50.8	30-90	60

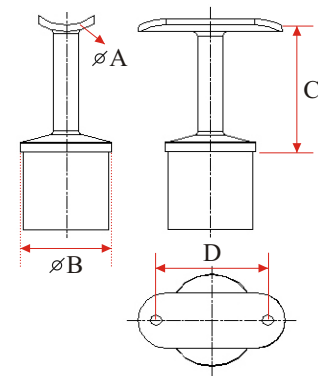




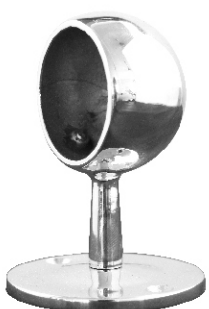
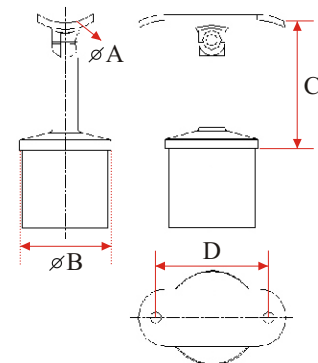
REF.	A	B	C	D
SP913	43	43	60	26
SP914	50.8	50.8	65	30



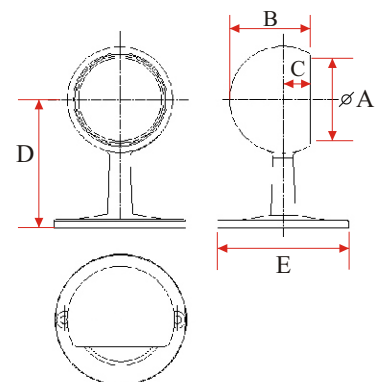
REF.	A	B	C	D
SP915	43	43	60	52
SP916	50.8	50.8	65	60

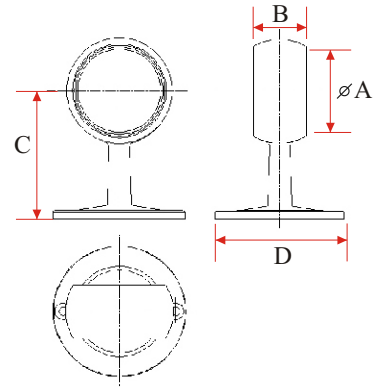


REF.	A	B	C	D
SP917	43	43	60	52
SP918	50.8	50.8	65	60

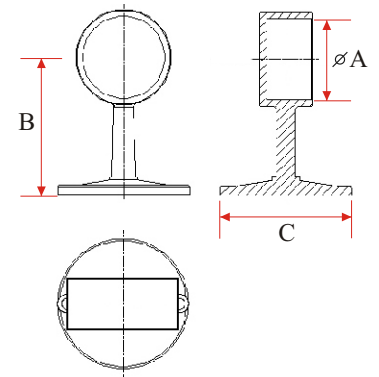


REF.	A	B	C	D	E
SP930	43	41.5	13.5	68	73
SP931	50.8	49	16.5	78	80

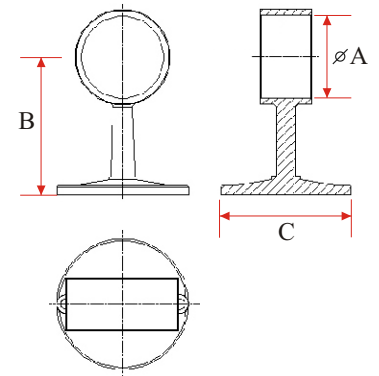




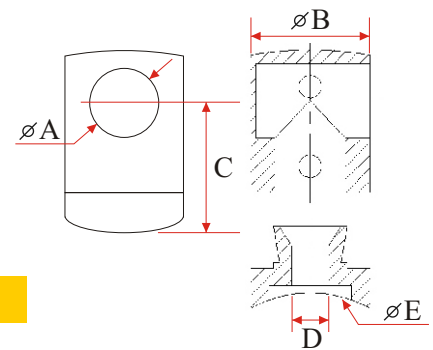
REF.	A	B	C	D
SP932	43	27	68	73
SP933	50.8	33	78	80



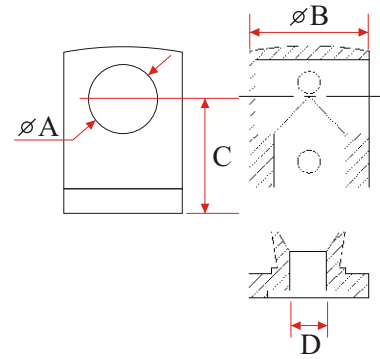
REF.	A	B	C
SP936	43	72	69
SP937	50.8	83	80



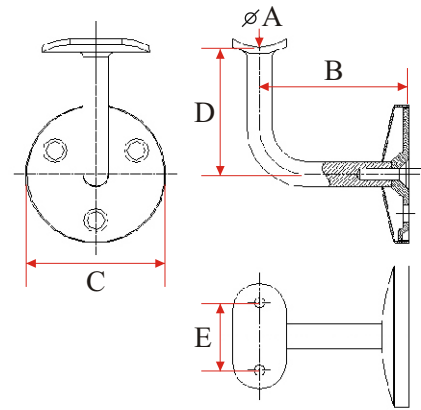
REF.	A	B	C
SP934	43	72	69
SP935	50.8	83	80



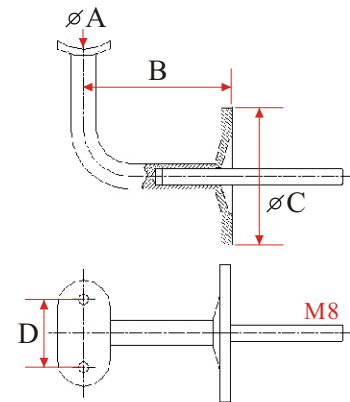
REF.	A	B	C	D	E
SP919	12	21	20	6.5	43



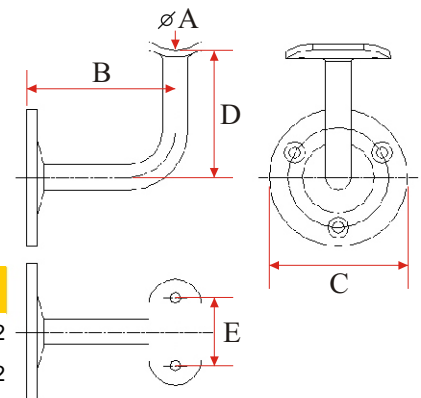
REF.	A	B	C	D
SP920	12	21	20	6.5



REF.	A	B	C	D	E
SP921	43	70	65	60	32
SP922	50.8	70	65	60	32



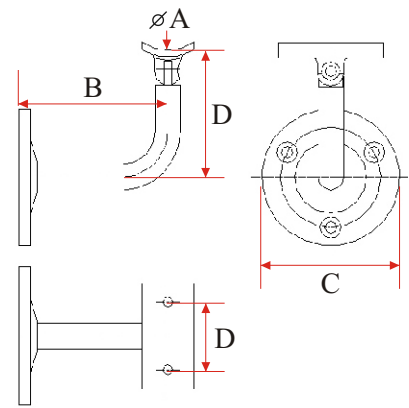
REF.	A	B	C	D	M
SP923	43	70	64.5	32	8
SP924	50.8	70	64.5	32	8



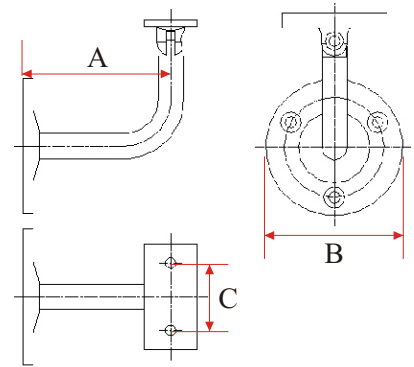
REF.	A	B	C	D	E
SP925	43	70	64.5	60	32
SP926	50.8	70	64.5	60	32



REF.	A	B	C	D
SP927	43	70	64.5	32
SP928	50.8	70	64.5	32



REF.	A	B	C
SP929	70	64.5	32



REF.	A	B	C	D	E
SP938	43	60	54	10-12	43
SP939	50.8	60	54	10-12	43

