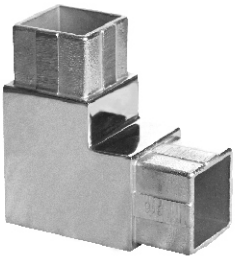
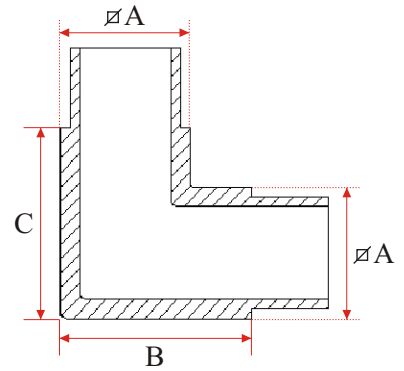


# ANOR

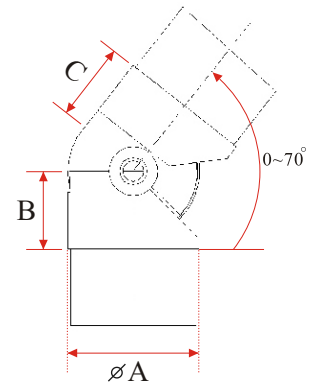
## HERRAJES INOXIDABLE



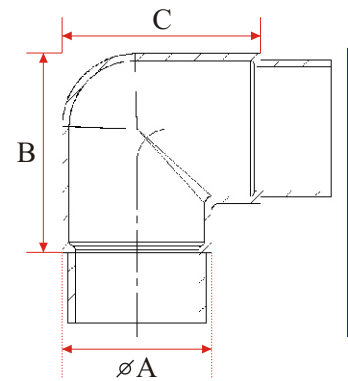
| REF.  | A     | B  | C  |
|-------|-------|----|----|
| CD901 | 40x40 | 60 | 60 |



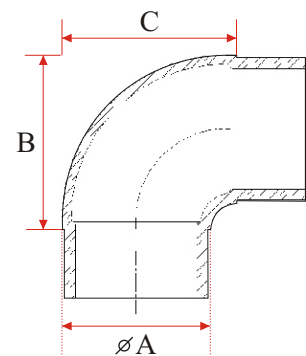
| REF.  | A    | B  | C  |
|-------|------|----|----|
| CD902 | 43   | 26 | 26 |
| CD903 | 50.8 | 30 | 30 |



| REF.  | A    | B  | C  |
|-------|------|----|----|
| CD904 | 43   | 57 | 57 |
| CD905 | 50.8 | 60 | 60 |

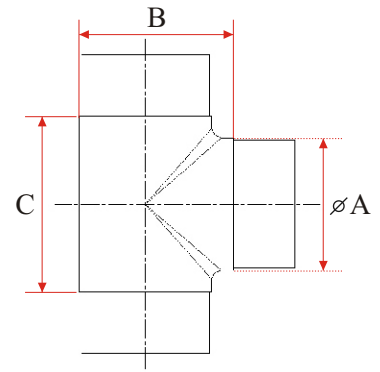


| REF.  | A    | B  | C  |
|-------|------|----|----|
| CD906 | 43   | 55 | 55 |
| CD907 | 50.8 | 60 | 60 |

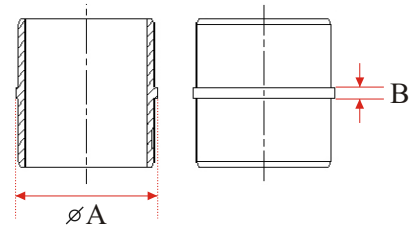




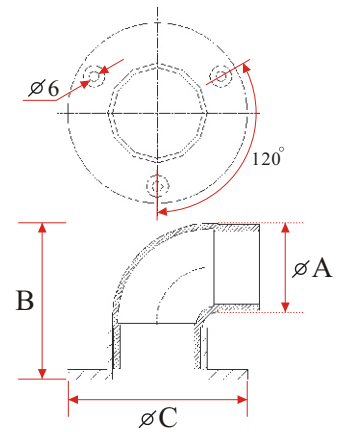
| REF.  | A    | B  | C  |
|-------|------|----|----|
| CD908 | 43   | 50 | 57 |
| CD909 | 50.8 | 60 | 69 |



| REF.  | A    | B |
|-------|------|---|
| CD910 | 43   | 4 |
| CD911 | 50.8 | 4 |



| REF.  | A    | B  | C   |
|-------|------|----|-----|
| CD912 | 43   | 80 | 80  |
| CD913 | 50.8 | 90 | 102 |



| REF.  | A    | B  | C  |
|-------|------|----|----|
| CD914 | 43   | 65 | 65 |
| CD915 | 50.8 | 75 | 75 |

