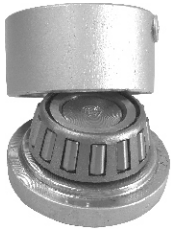
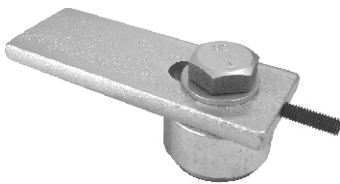
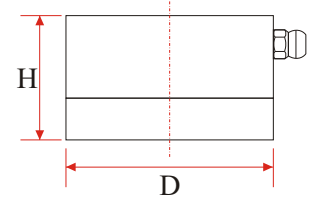


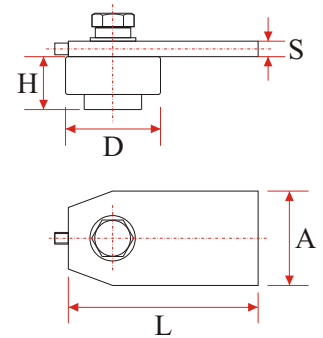
HERRAJES DE PUERTAS Y CANCELAS



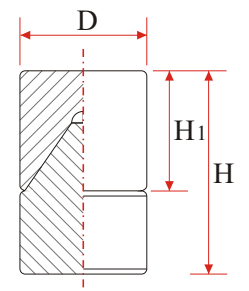
REF.	D (mm)	H (mm)	Acab.
BSG40	40	34	Zinc
BSG70	70	36	Zinc



REF.	D (mm)	H (mm)	A (mm)	L (mm)	S (mm)	Acab.
SGR40	40	37	40	90	7	Zinc
SGR70	70	47	70	140	12	Zinc



REF.	D (mm)	H (mm)	H1 (mm)	Acab.
PGB40A	40	53	30	Zinc



REF.	D (mm)	H (mm)	H1 (mm)	Acab.
PGB40B	40	60	50	Zinc

